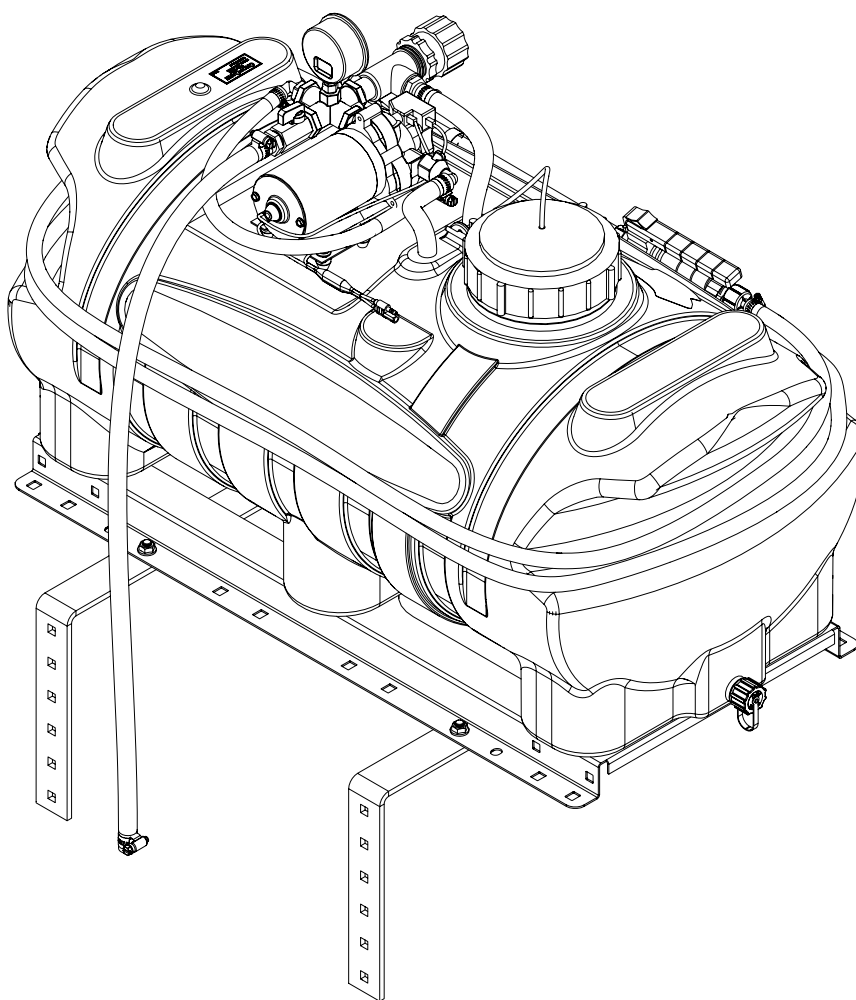




# Assembly Manual

## 25 Gallon ATV Sprayer Model ATX25



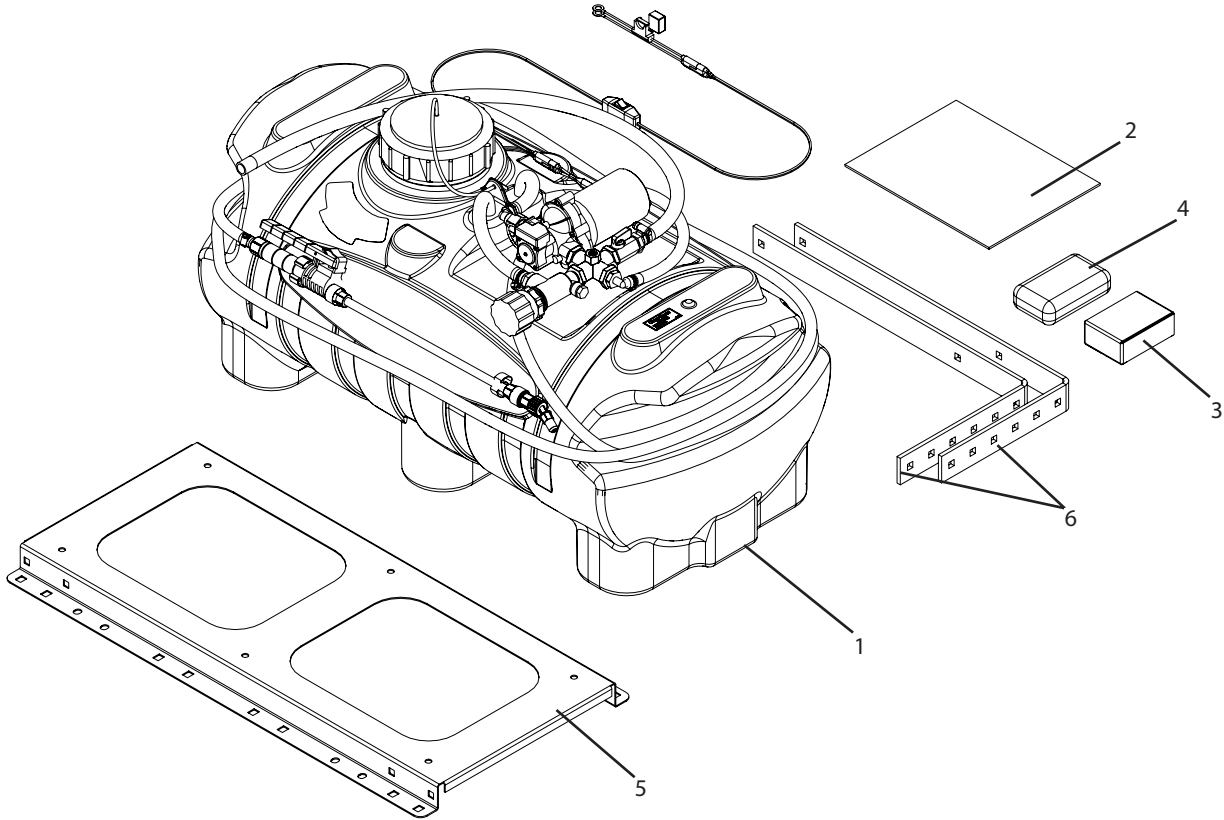
Manufactured by PBZ LLC  
A Paul B Zimmerman Inc. Company  
[www.CropCareEquipment.com](http://www.CropCareEquipment.com)

Form: ATX25AM  
Rev B Date 9/21

# Assembly Instructions

## Box Contents

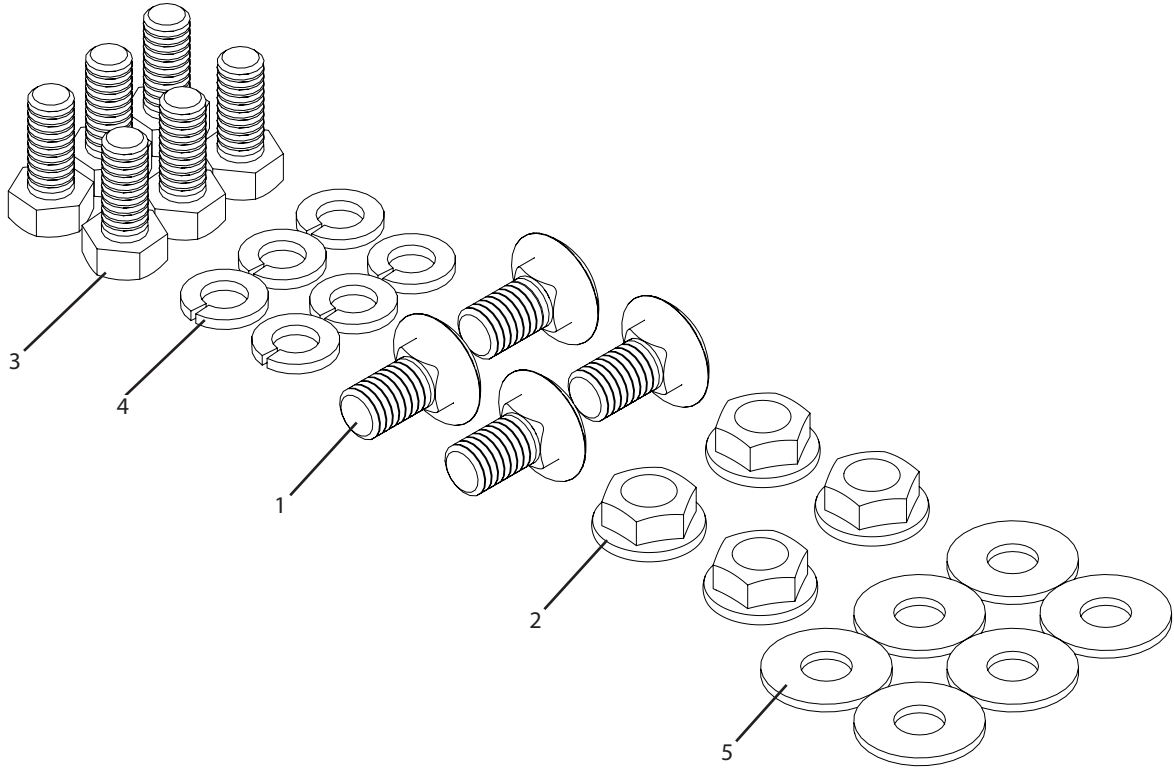
The ATX25 comes partially assembled and requires some assembly. Use the assembly instructions to ensure proper assembly. Before assembling, ensure that the boxes contain the necessary components and parts.



Item	Qty.	Part Number	Description
1	1	-----	Assembled Base Unit
2	1	ATX25OM	Manual, Owners ATX25 Sprayer
3	1	GG60	Gauge, 2-1/2" Liquid Filled 60 PSI
4	1	-----	Hardware bag
5	1	T1430	LGX25-ATX25 Frame
6	2	T1434	ATX25 ATV, Boom Mount

# Assembly Instructions

## Hardware Bag Contents

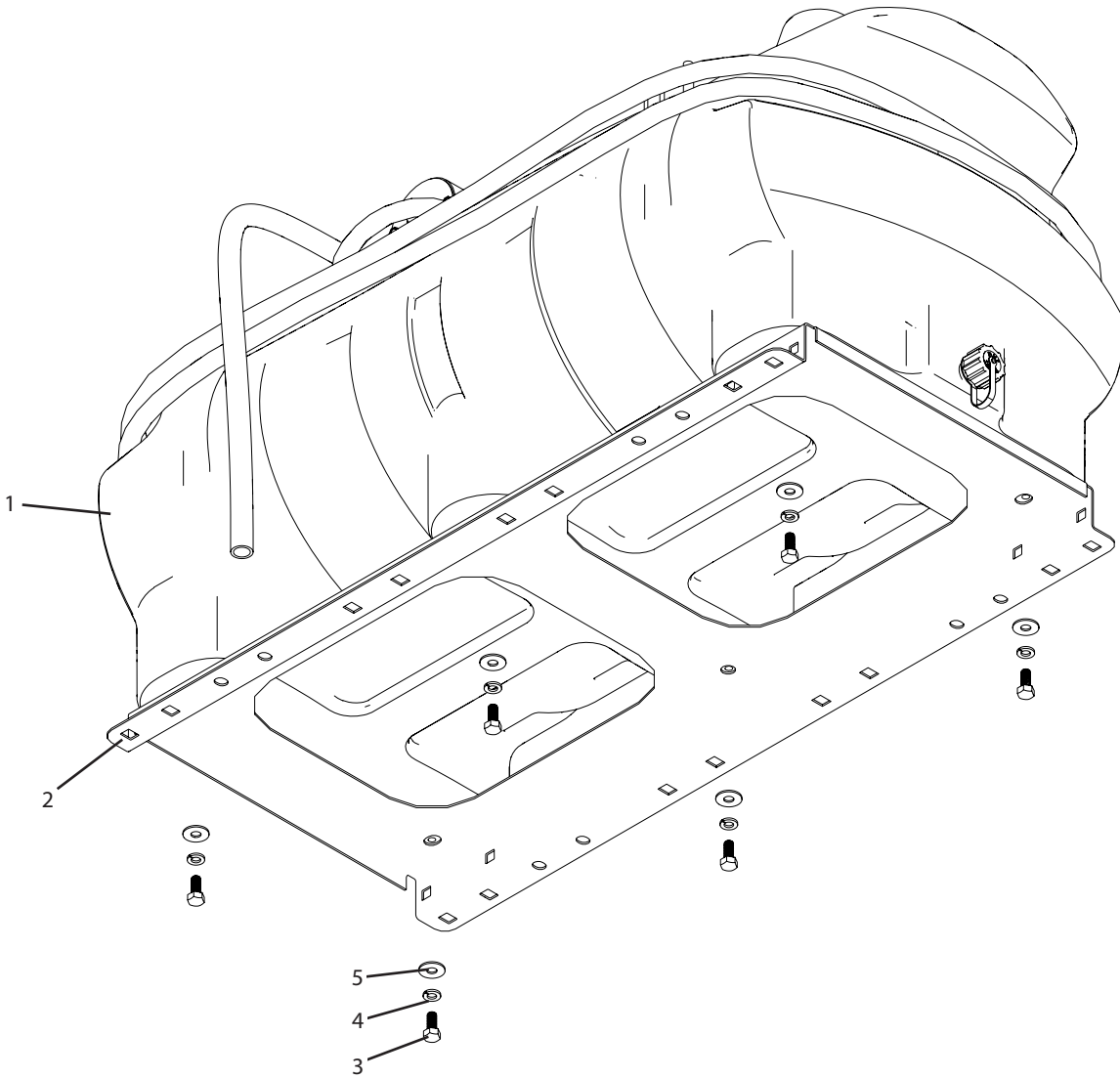


Item	Qty.	Part Number	Description
1	4	CB38*34G5	Bolt, Carriage 3/8-16 x 3/4" Gr 5
2	4	FN38	Nut, Flange 3/8-16
3	6	H5C516*34	Bolt, Hex 5/16-18 x 3/4" Gr 5
4	6	LW516	Washer, Lock 5/16"
5	6	FW516	Washer, Flat 5/16"

# Assembly Instructions

## Step 1

- Install the base frame onto the bottom of the sprayer tank. NOTE: Tighten the bolts (Item 3) until the lock washer (Item 4) is compressed flat against the flat washer (Item 5) when the flat washer is against the frame (Item 2), but do NOT tighten more than this to prevent the threads in the tank from stripping.

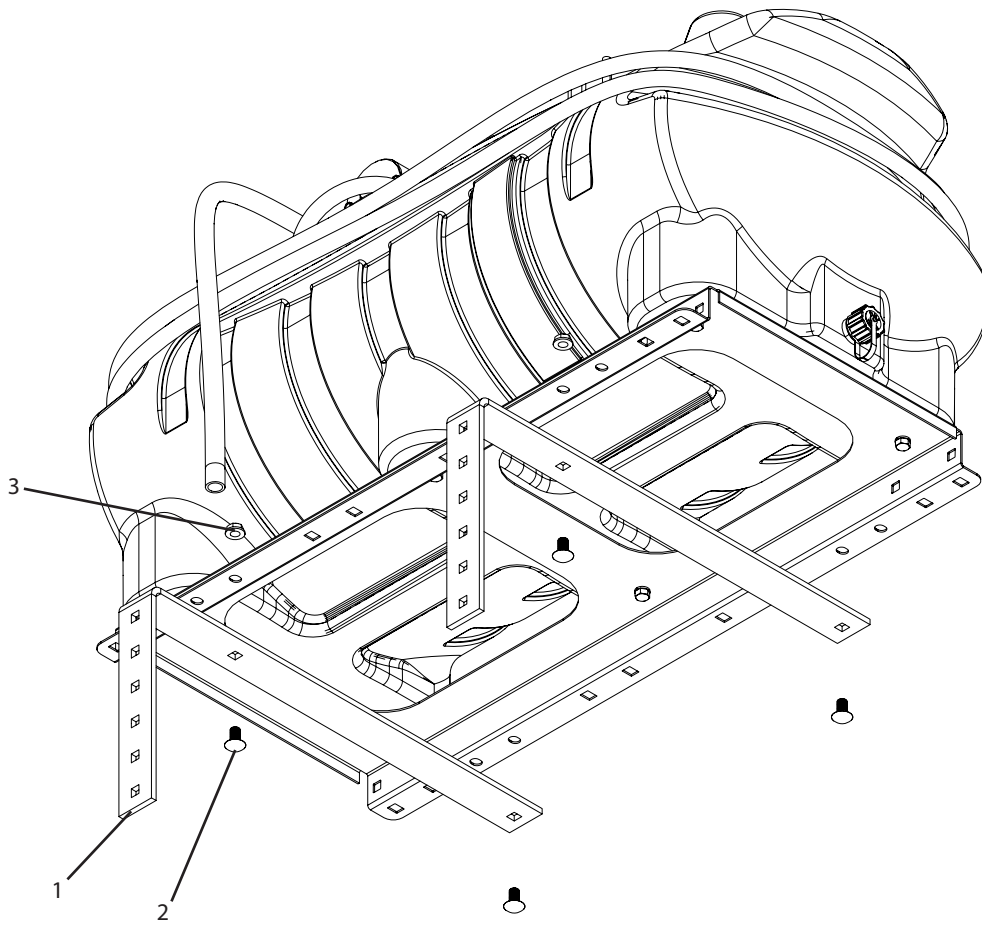


Item	Qty.	Part Number	Description
1	1	-----	Assembled Base Unit
2	1	T1430	LGX25-ATX25 Frame
3	4	H5C516*34	Bolt, Hex 5/16-18 x 3/4" Gr 5
4	4	LW516	Washer, Lock 5/16"
5	6	FW516	Washer, Flat 5/16"

# Assembly Instructions

## Step 2

- Install the boom mounting brackets.

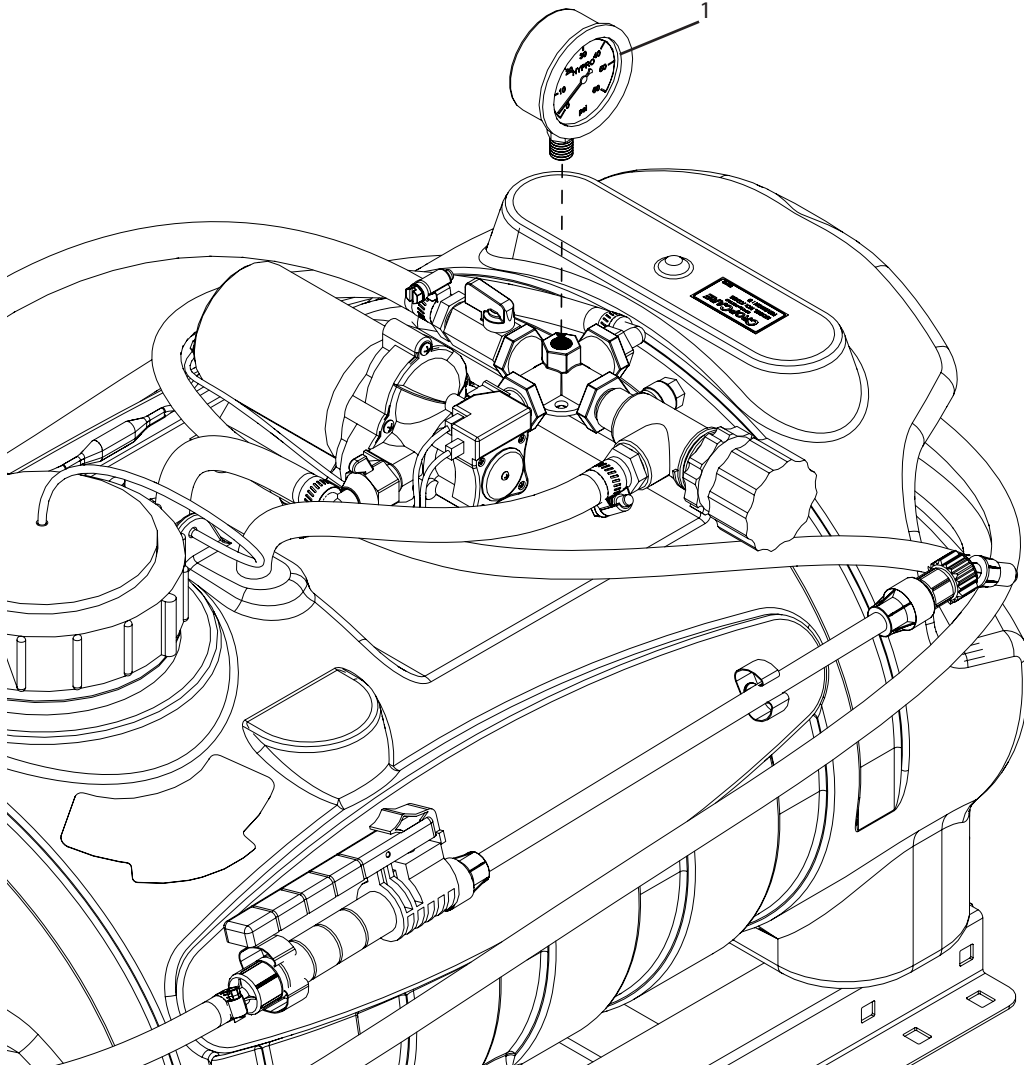


Item	Qty.	Part Number	Description
1	2	T1434	ATX25 ATV, Boom Mount
2	4	CB38*34G5	Bolt, Carriage 3/8-16 x 3/4" Gr 5
3	4	FN38	Nut, Flange 3/8-16

# Assembly Instructions

## Step 3

- Install the gauge. NOTE: Using an adjustable wrench, tighten until the threads are no longer visible, and the gauge is facing the direction shown. Do not overtighten.

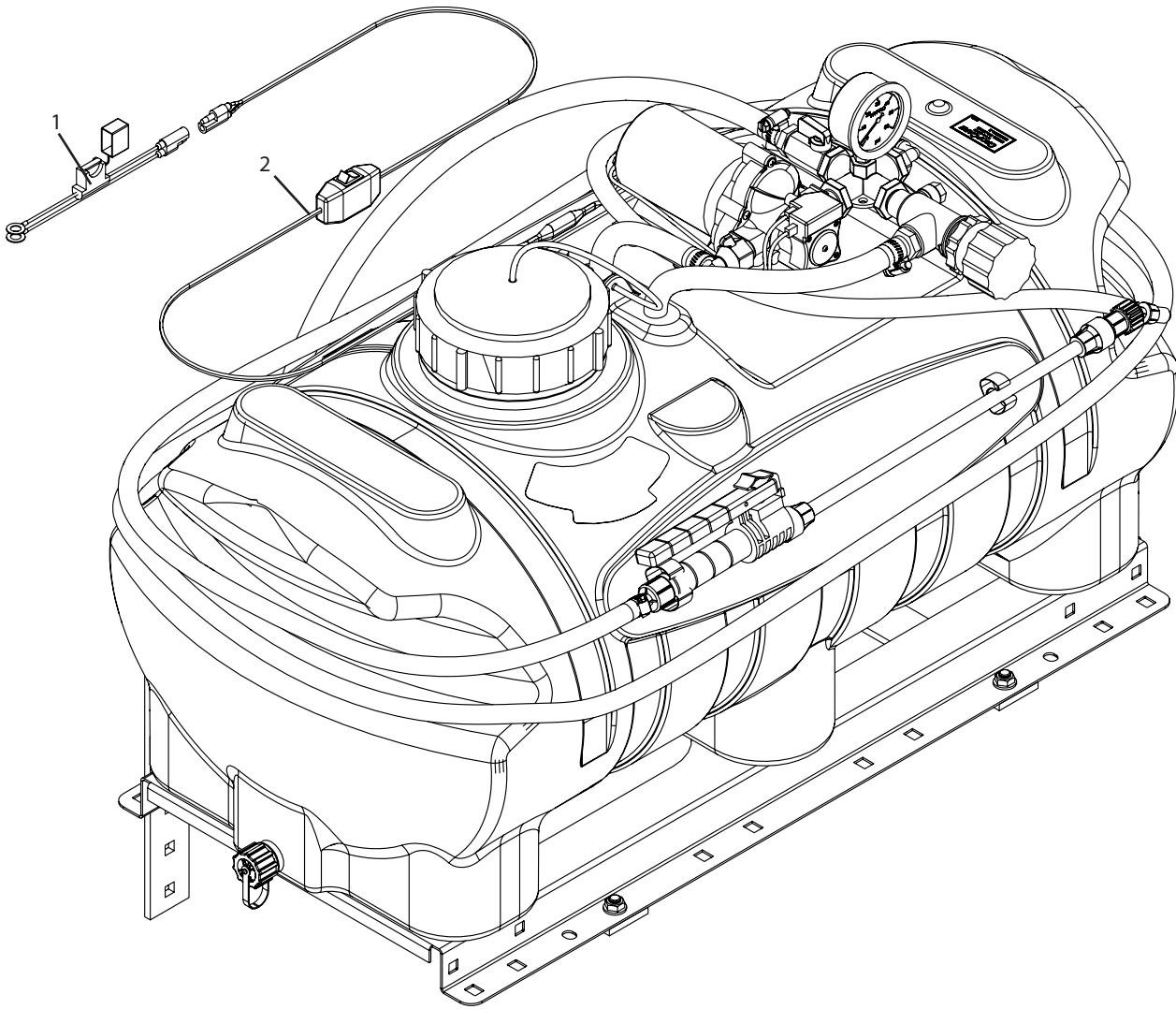


Item	Qty.	Part Number	Description
1	1	GG60	Gauge, 2-1/2" Liquid Filled 60 PSI

# Assembly Instructions

## Step 6

- Connect the wiring harnesses to the plug on the pump.
- Connect to a battery. NOTE: See Owner's manual for specific information regarding the wiring and power requirements for this sprayer.
- NOTE: See Owner's Manual for instructions on sprayer mounting, adjustments, and operation.



Item	Qty.	Part Number	Description
1	1	SPT-BCG-1215A-16G	Harness, Battery Connector 14G w/15A Fuse
2	1	SPT-SWH-9615A-16G	Harness, Wiring 8 Ft 14G w/ Switch

Congratulations, your new CropCare® ATX25 Sprayer is assembled and ready for years of use!

Contact us with questions or concerns at:  
[Info.cropcare@pbzinc.com](mailto:Info.cropcare@pbzinc.com)

Or find additional support materials at:  
[CropCareEquipment.com](http://CropCareEquipment.com)